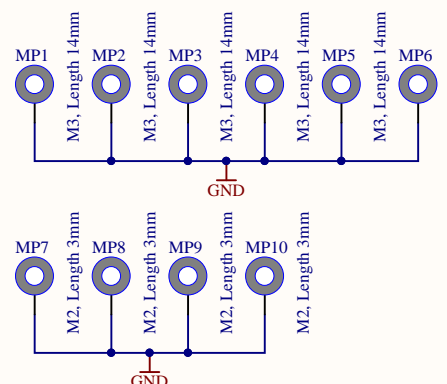


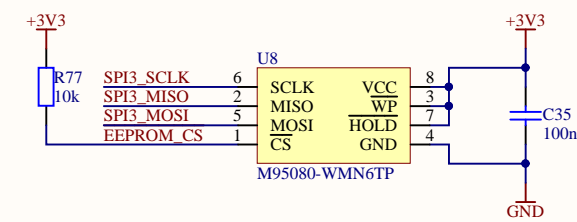
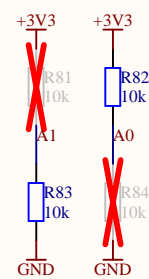
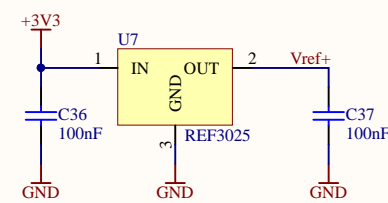
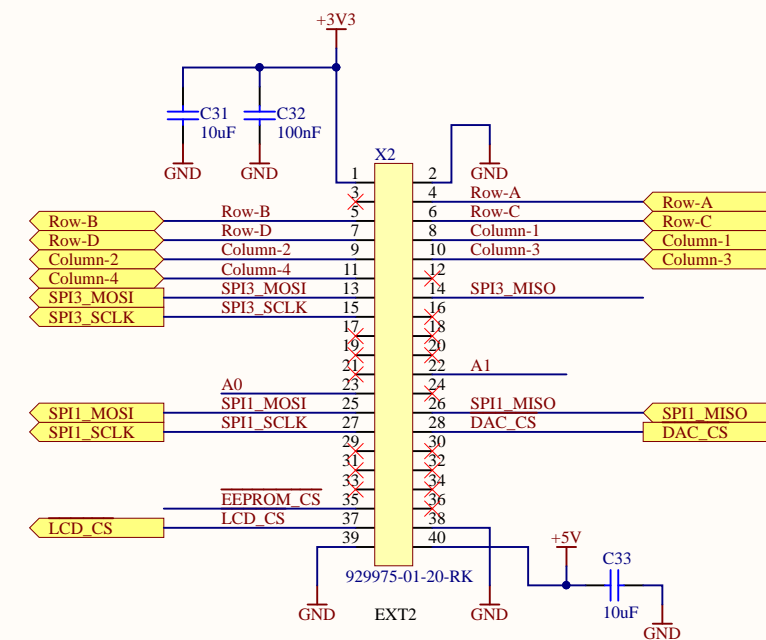
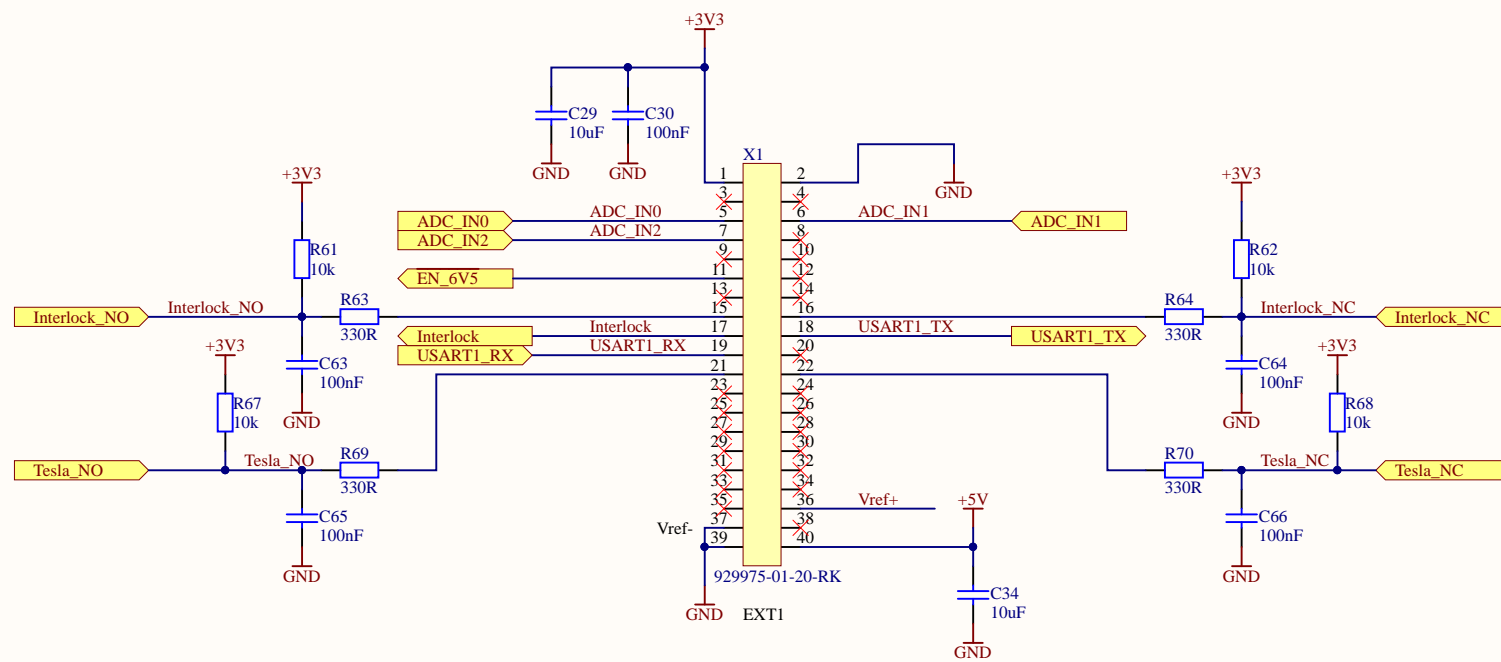
SN1  
Serial Number

PCB1  
MLA-0387-P1-PA3

FID1 FID2 FID3  
FID4 FID5 FID6



	<b>Title:</b> <b>HSB MRTS Anode-Tesla Top</b>	
	<b>Drawn:</b> TLa	<b>Number:</b> 1.
<b>Checked:</b> GSc	<b>Date:</b> 7-9-2017	<b>Sheet:</b> 1 of 6
<b>File:</b> Top.SchDoc		

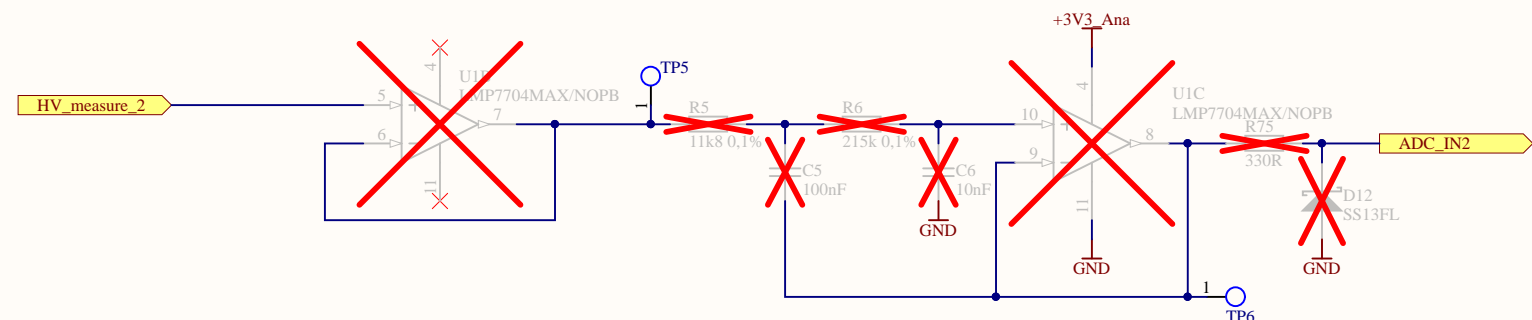
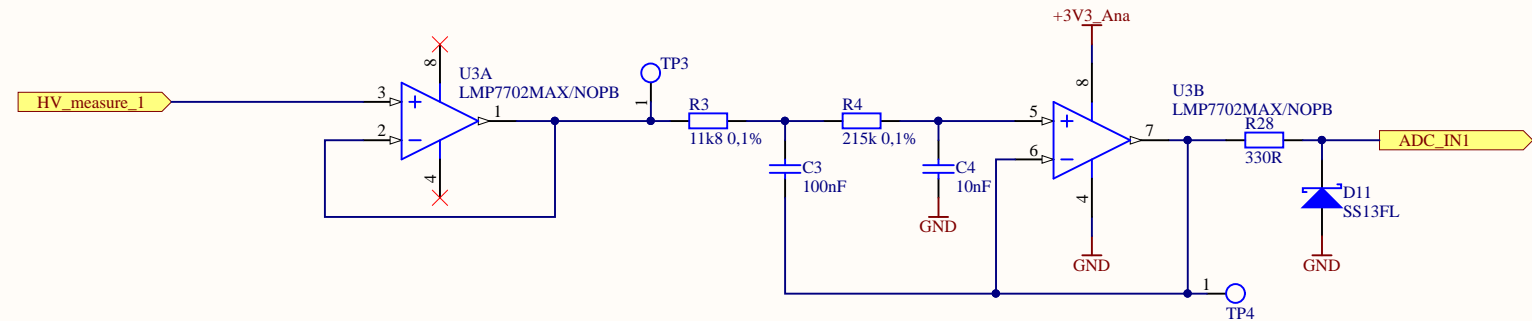
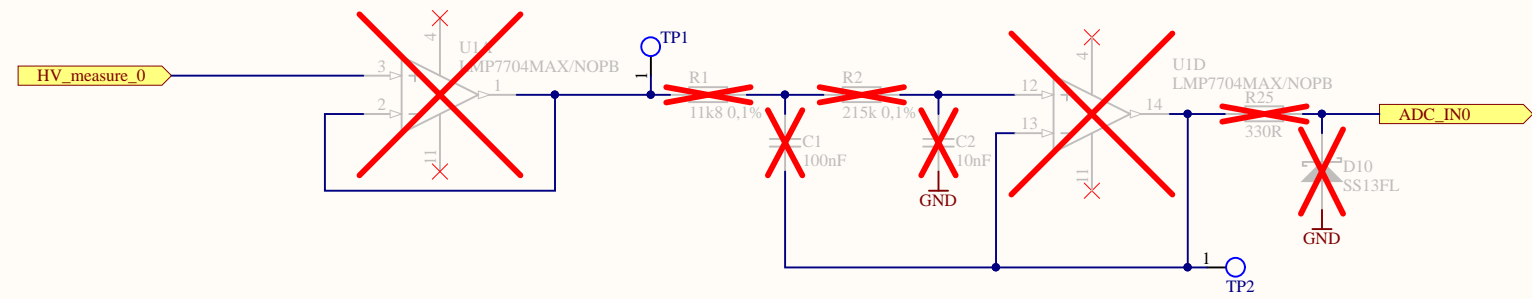


Remove jumper PWR\_SEL  
Remove resistor R2

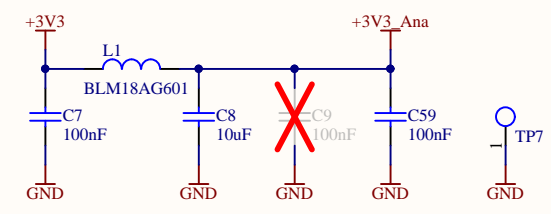
A1 A0  
MLA-0387-A0 0 0  
MLA-0387-A1 0 1  
MLA-0387-A2 1 0

M5  
STM32-H107

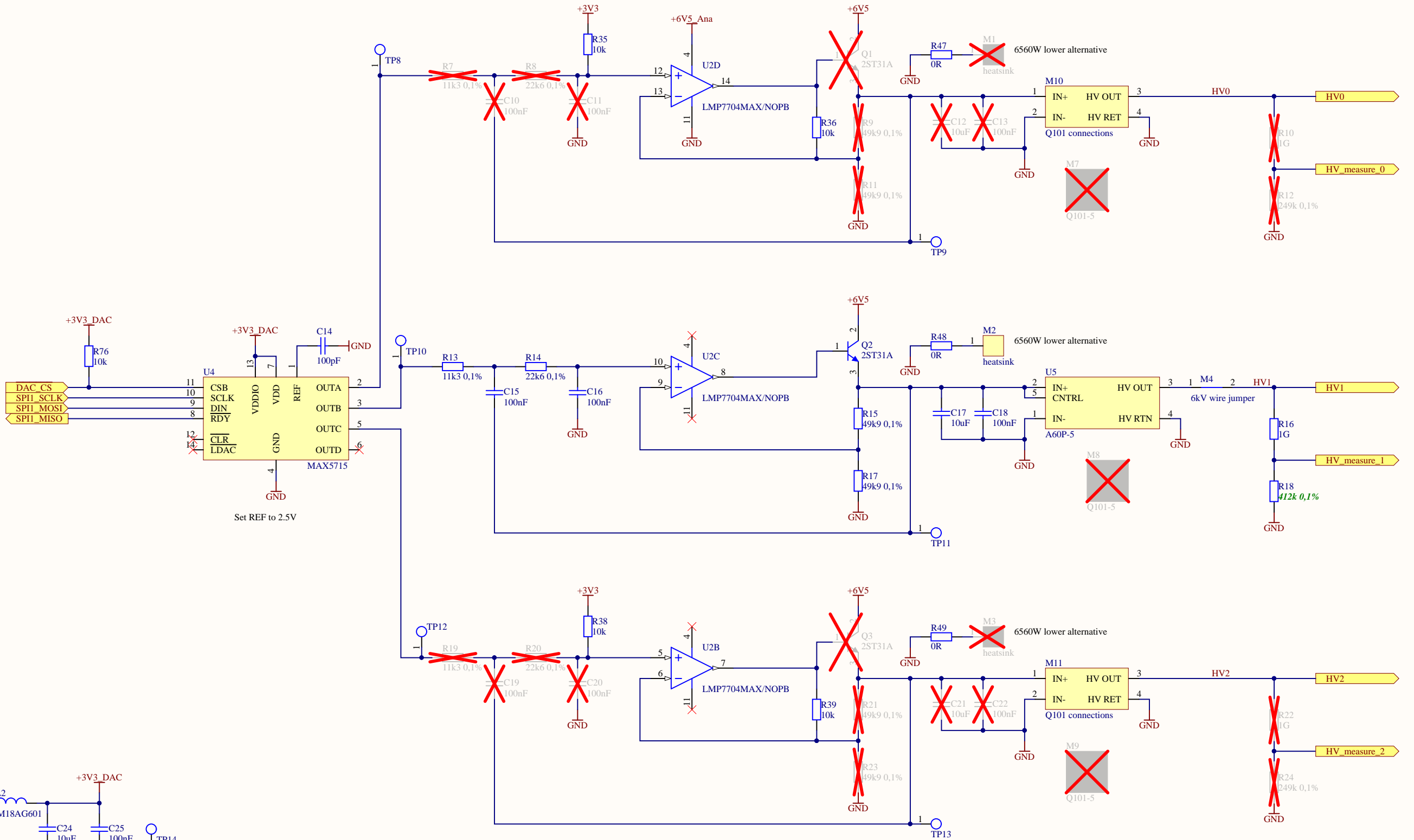
		<b>Title:</b> <b>Microcontroller</b>	
Drawn: TLa	Number: 2.	Rev: MLA-0387-A1 PA3	
Checked: GSc	Date: 7-9-2017	Sheet: 2 of: 6	
File: Microcontroller.SchDoc			



2nd order Butterworth filter  
 -3dB @ 100Hz  
 Gain= 1

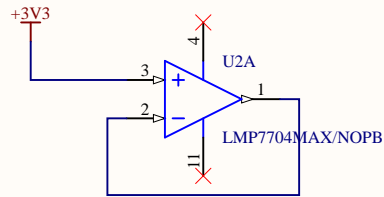
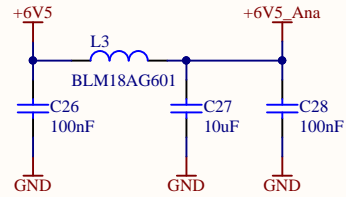
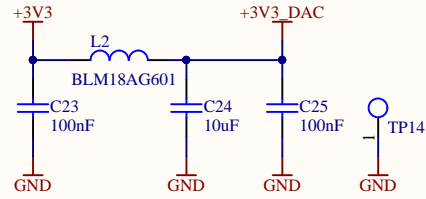


	<b>Title:</b> <b>Analog In</b>	
	<b>Drawn:</b> TLa	<b>Number:</b> 3.
<b>Checked:</b> GSc	<b>Date:</b> 7-9-2017	<b>Sheet:</b> 3 of 6
<b>File:</b> Analog in.SchDoc		

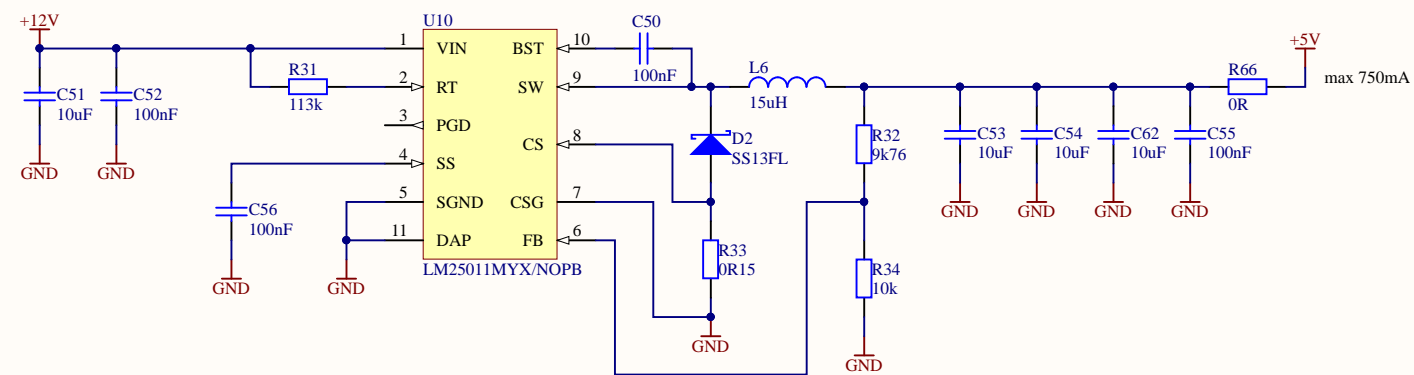
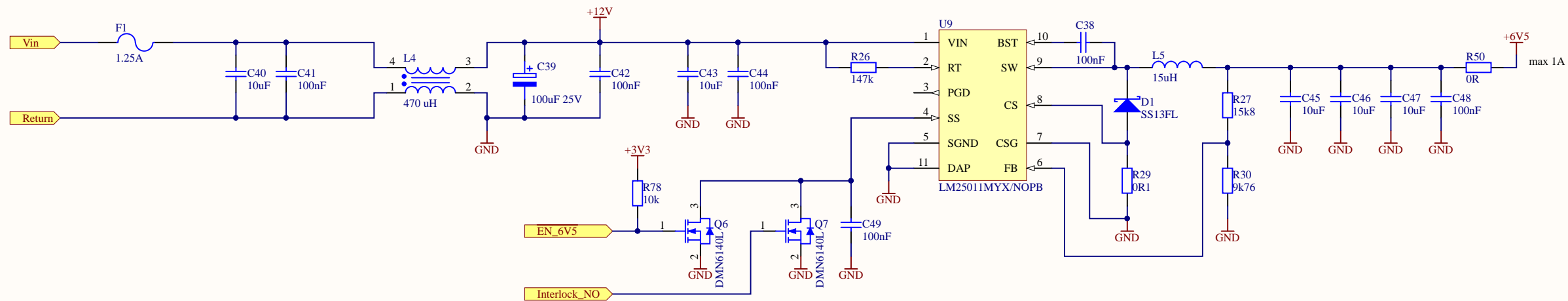



Set REF to 2.5V

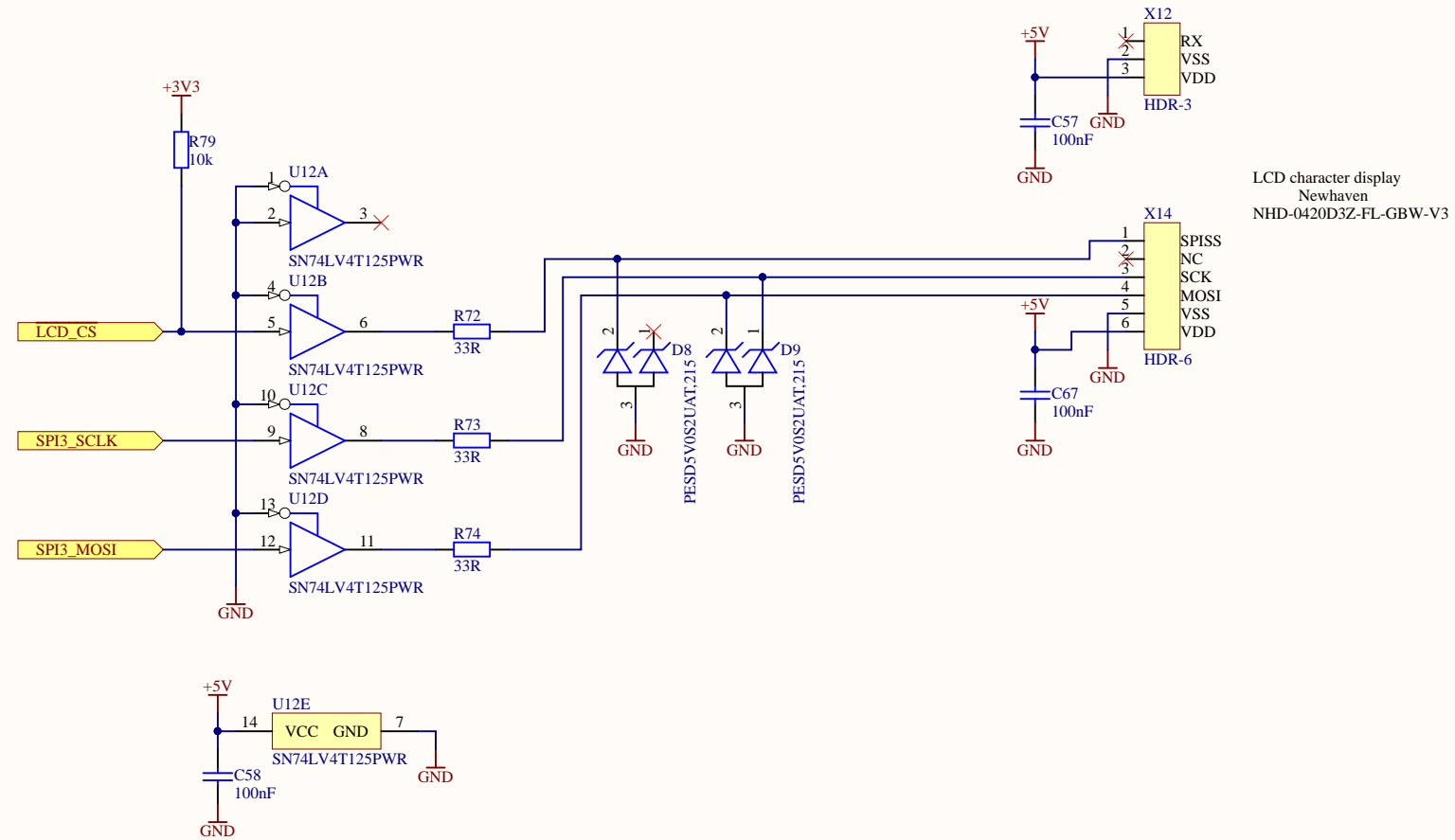
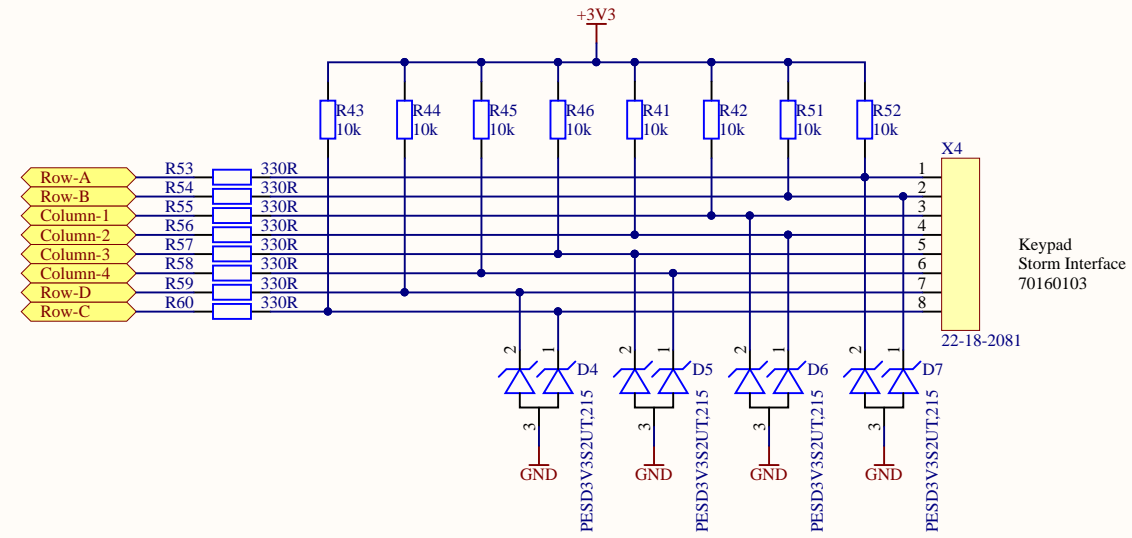
2nd order Butterworth filter  
 -3dB @ 100Hz  
 Gain= 2



	<b>Title:</b> <b>High Voltage Power Supplies</b>	
	<b>Drawn:</b> TLa	<b>Number:</b> 4.
<b>Checked:</b> GSc	<b>Date:</b> 7-9-2017	<b>Sheet:</b> 4 of 6
<b>File:</b> HV Power supplies.SchDoc		



	<b>Title:</b> <b>Power Supplies</b>	
	<b>Drawn:</b> TLa	<b>Number:</b> 5.
<b>Checked:</b> GSc	<b>Date:</b> 7-9-2017	<b>Sheet:</b> 5 of 6
<b>File:</b> Power supplies.SchDoc		



	<b>Title:</b> <b>User Interface</b>	
	Drawn: TLa	Number: 6.
Checked: GSc	Date: 7-9-2017	Sheet: 6 of: 6
File: User Interface.SchDoc		