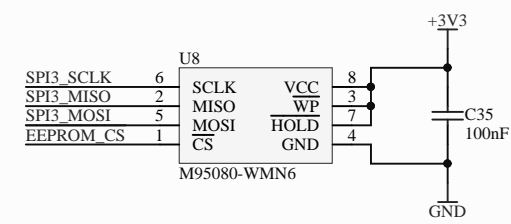
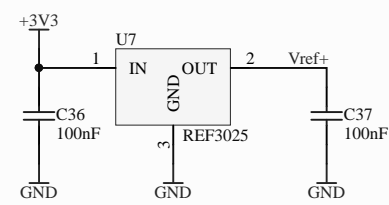
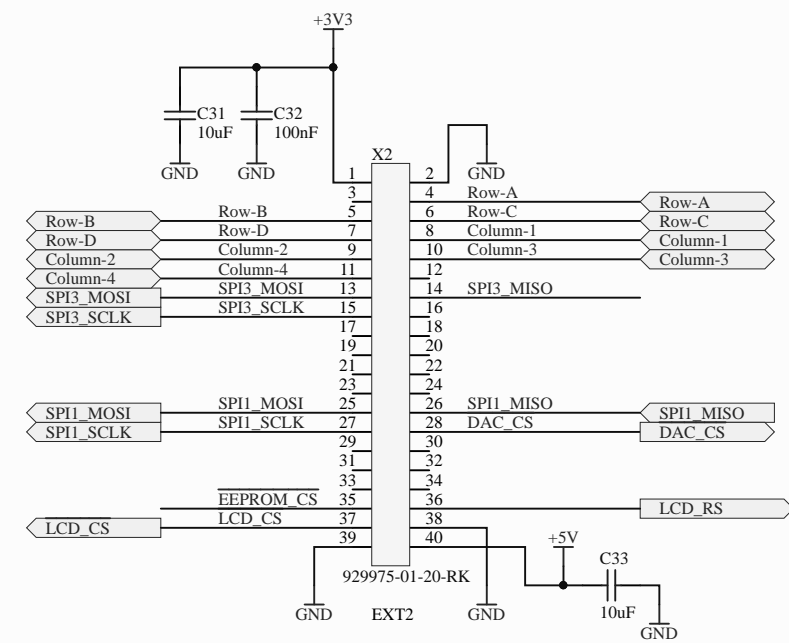
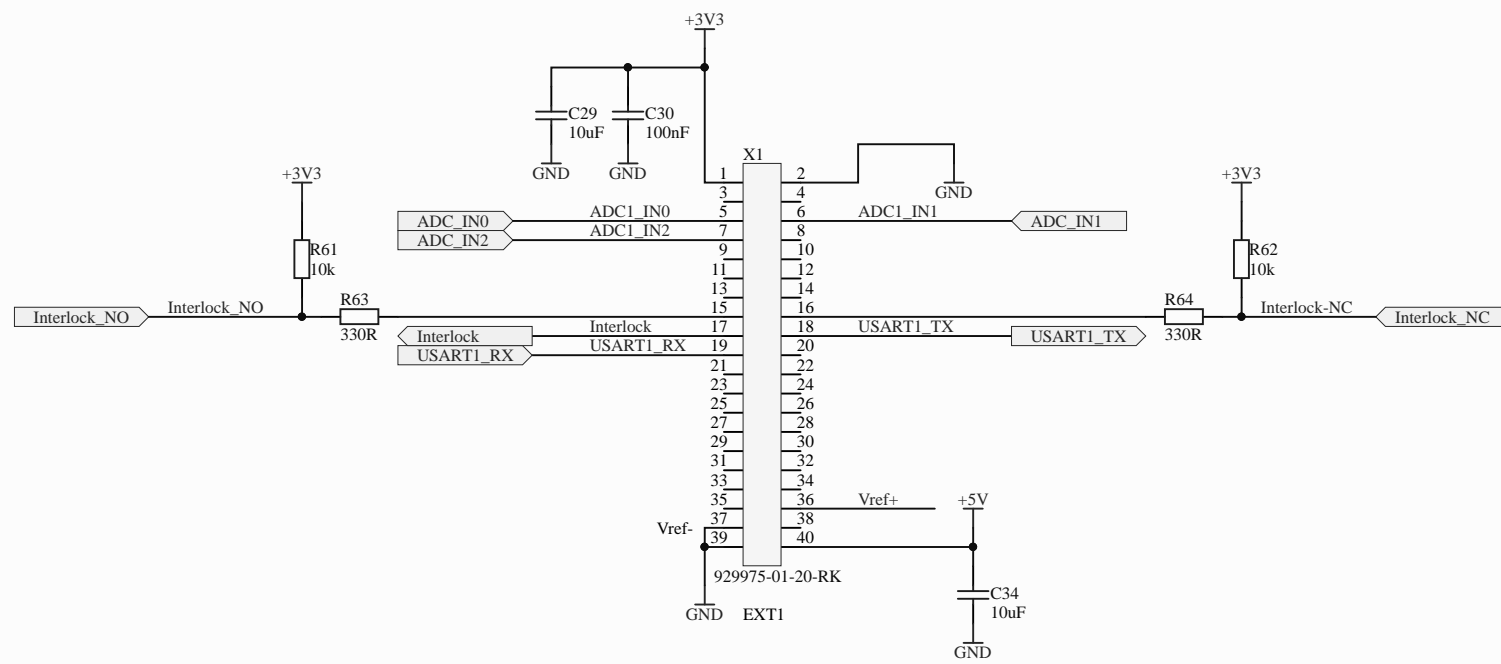
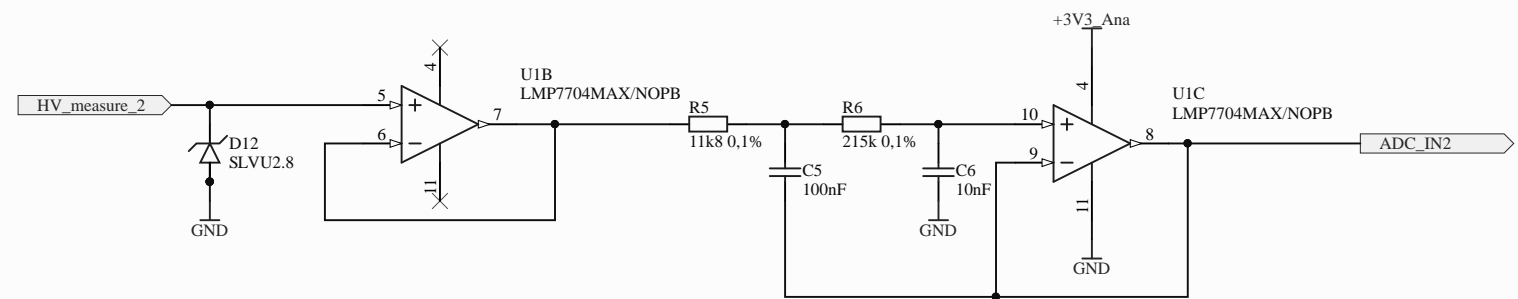
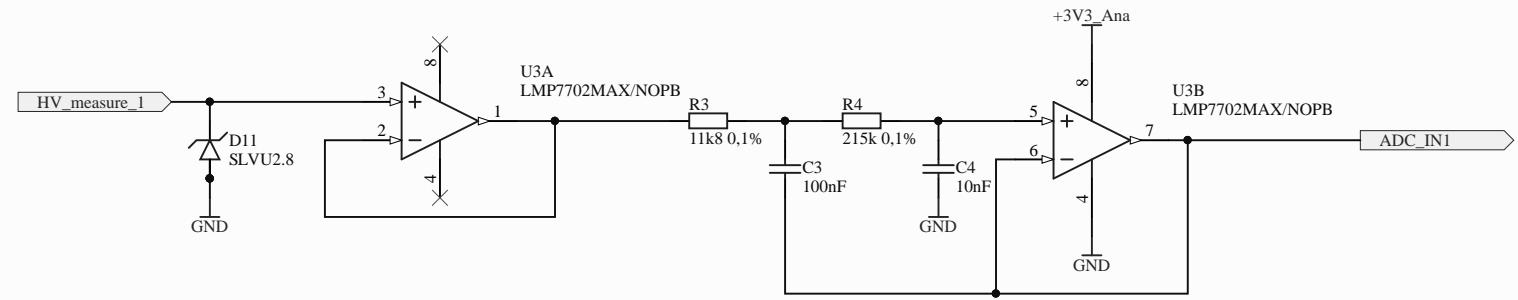
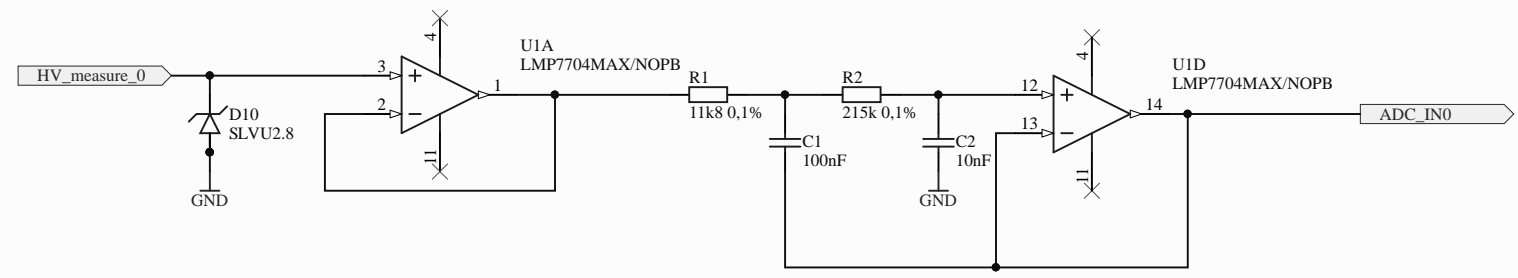


		<b>Title:</b> <b>HSB MRTS Anode-Tesla Top</b>	
		<b>Drawn:</b> TLa	<b>Number:</b> 1.
<b>Checked:</b> GSc		<b>Date:</b> 2-6-2017	<b>Sheet:</b> 1 of 6
<b>File:</b> Top.SchDoc			

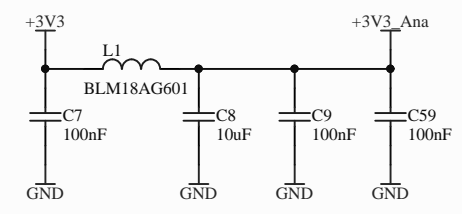


Remove jumper PWR\_SEL  
Remove resistor R2

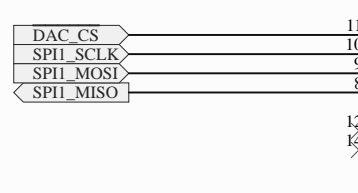
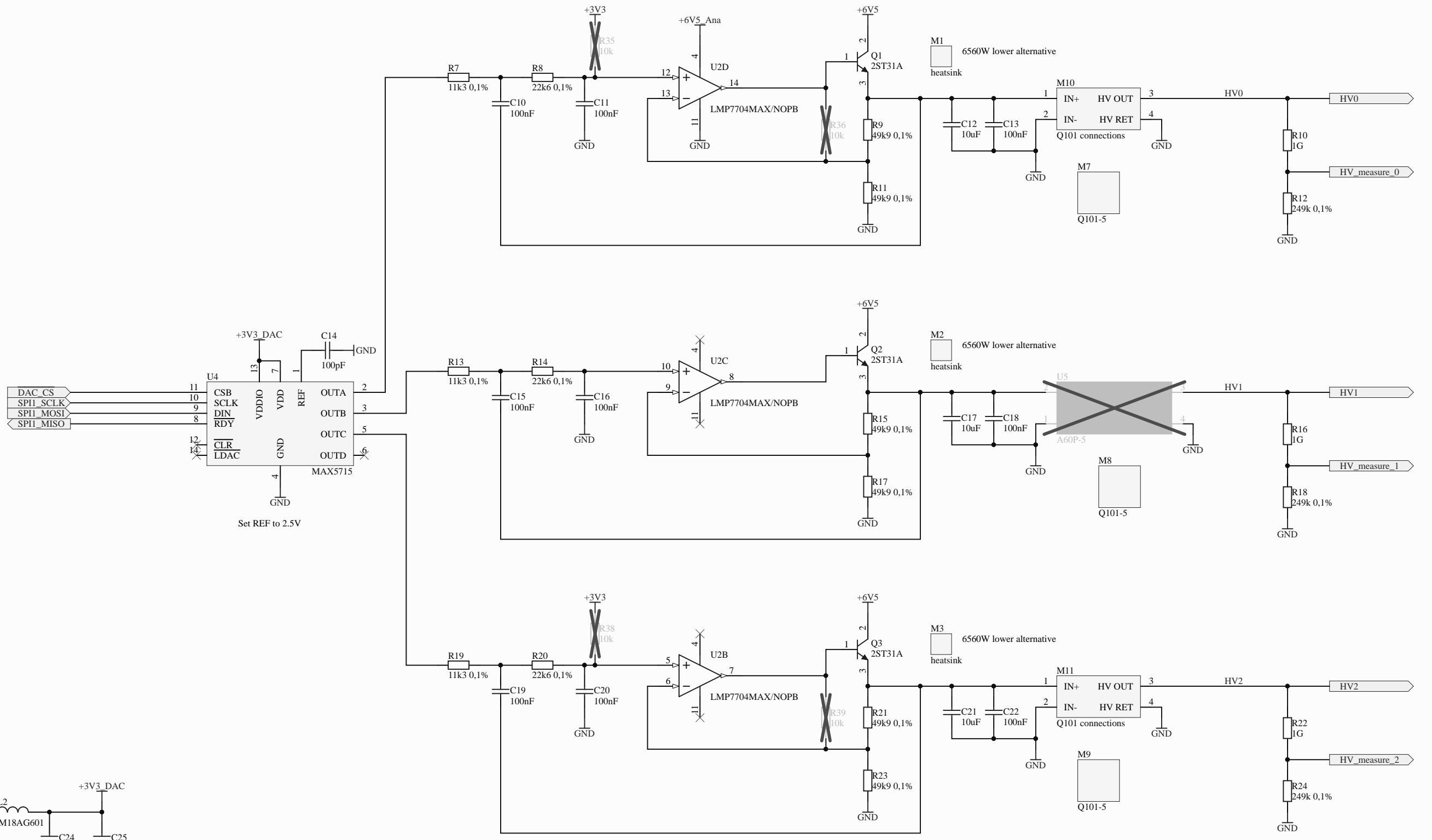
	<b>Title:</b> <b>Microcontroller</b>	
	<b>Drawn:</b> TLa	<b>Number:</b> 2.
<b>Checked:</b> GSc	<b>Date:</b> 2-6-2017	<b>Sheet:</b> 2 of: 6
<b>File:</b> Microcontroller.SchDoc		



2nd order Butterworth filter  
 -3dB @ 100Hz  
 Gain= 1

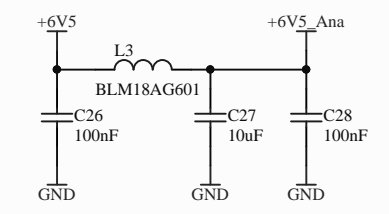
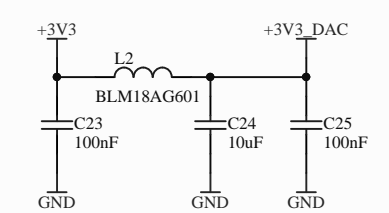
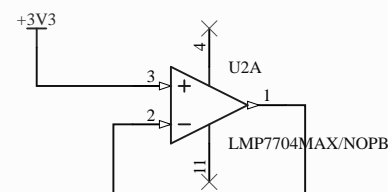


	<b>Title:</b> <b>Analog In</b>	
	<b>Drawn:</b> TLa	<b>Number:</b> 3.
<b>Checked:</b> GSc	<b>Date:</b> 2-6-2017	<b>Sheet:</b> 3 of: 6
<b>File:</b> Analog in.SchDoc		

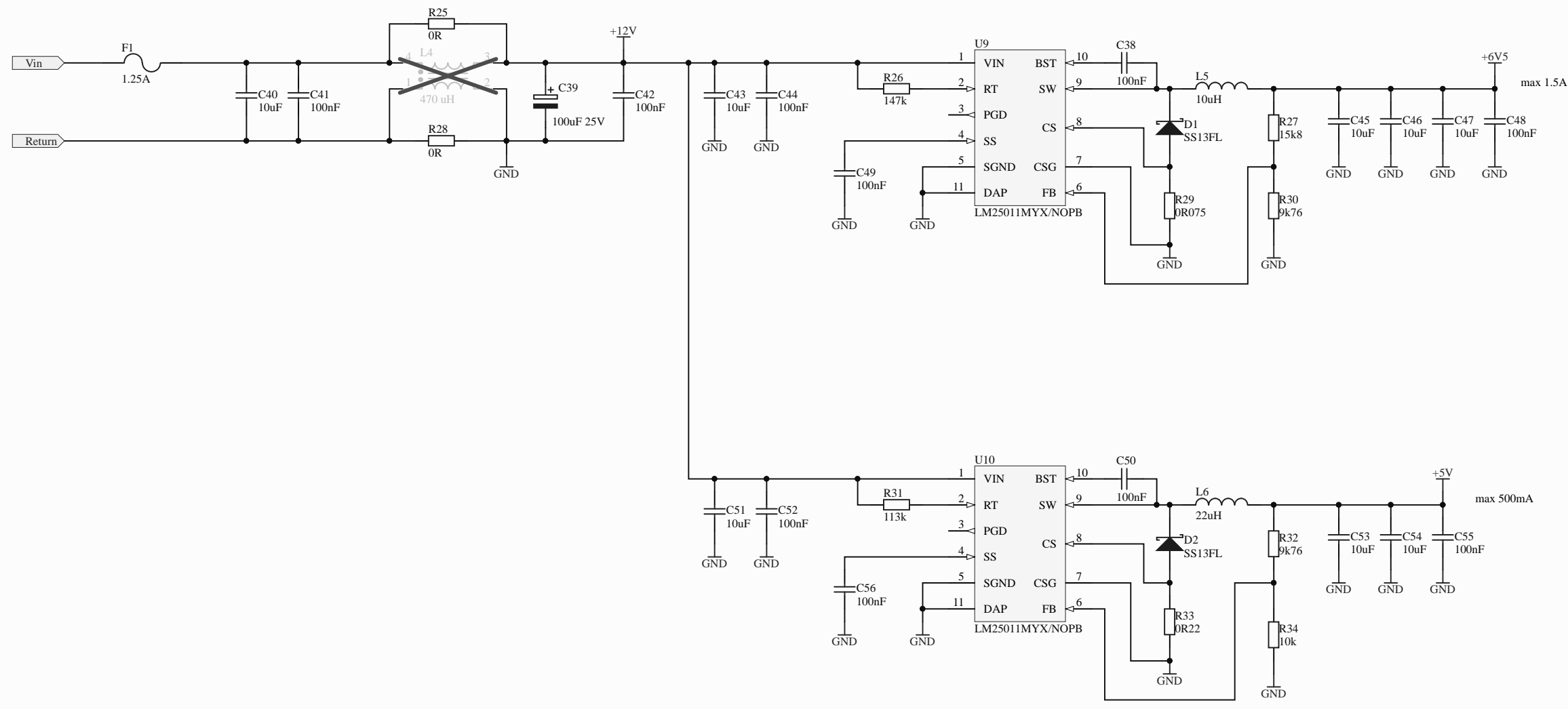


Set REF to 2.5V

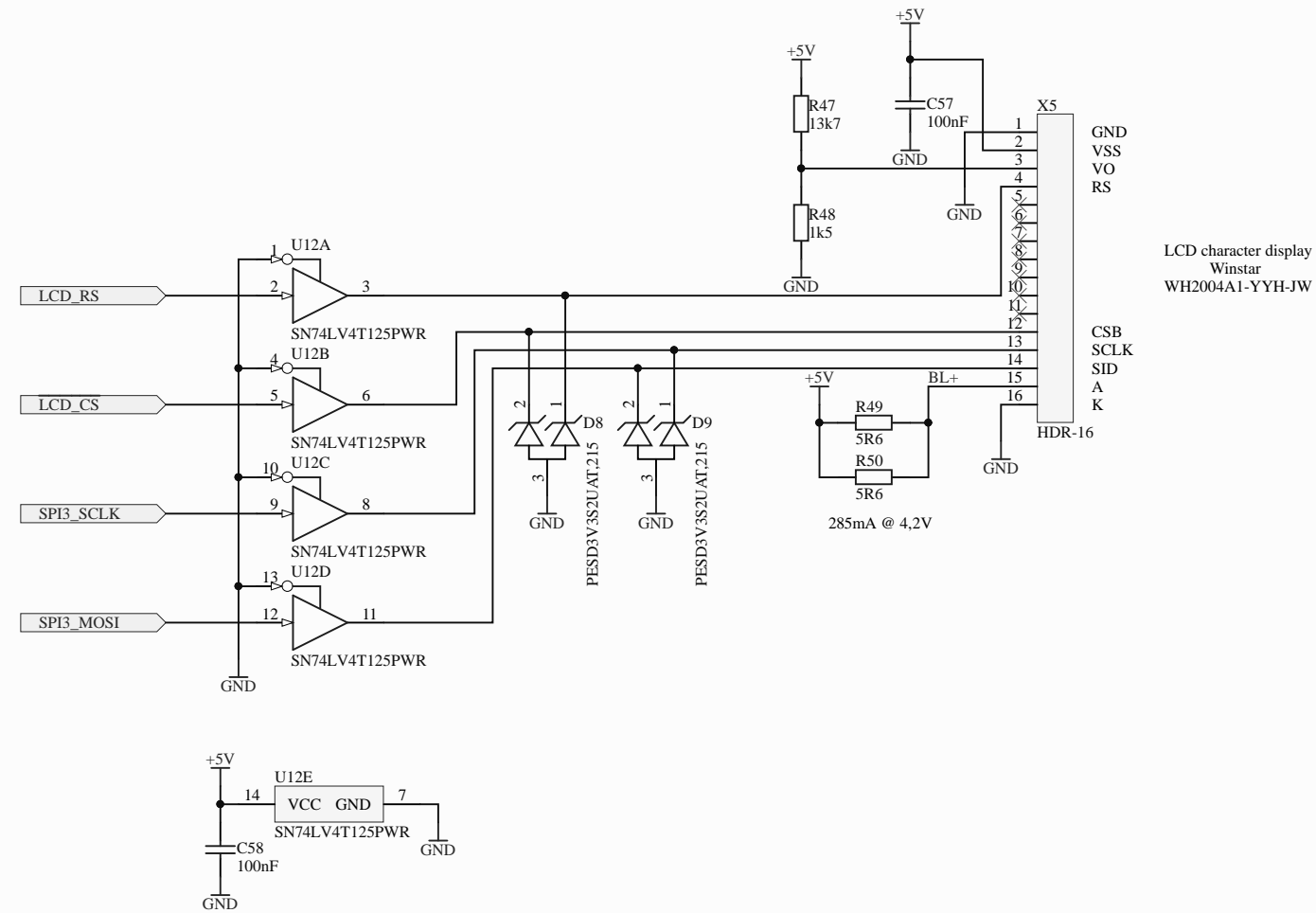
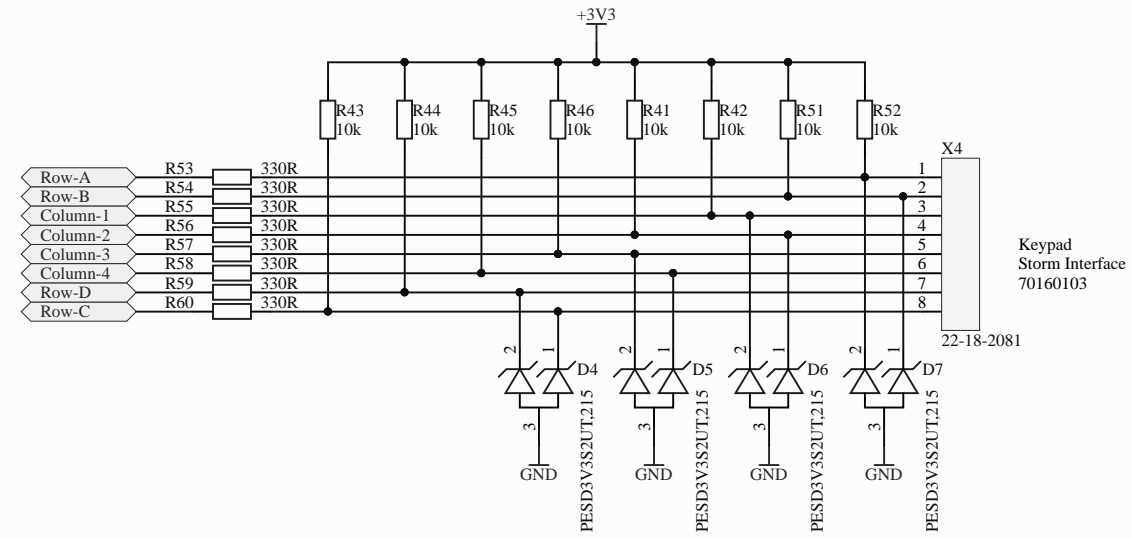
2nd order Butterworth filter  
-3dB @ 100Hz  
Gain= 2



		Title:	
		High Voltage Power Supplies	
Drawn: TLa	Number: 4.	Rev: MLA-0387-A2 PA0	
Checked: GSc	Date: 2-6-2017	Sheet: 4 of 6	
File: HV Power supplies.SchDoc			



	<b>Title:</b> <b>Power Supplies</b>	
	<b>Drawn:</b> TLa	<b>Number:</b> 5.
<b>Checked:</b> GSc	<b>Date:</b> 2-6-2017	<b>Sheet:</b> 5 of 6
<b>File:</b> Power supplies.SchDoc		



	<b>Title:</b> User Interface	
	Drawn: TLa	Number: 6.
Checked: GSc	Date: 2-6-2017	Sheet: 6 of: 6
File: User Interface.SchDoc		