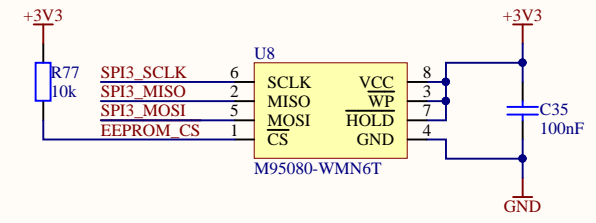
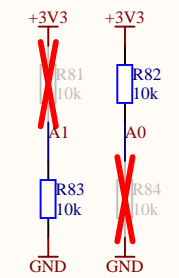
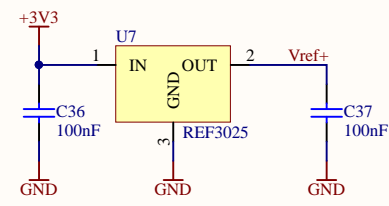
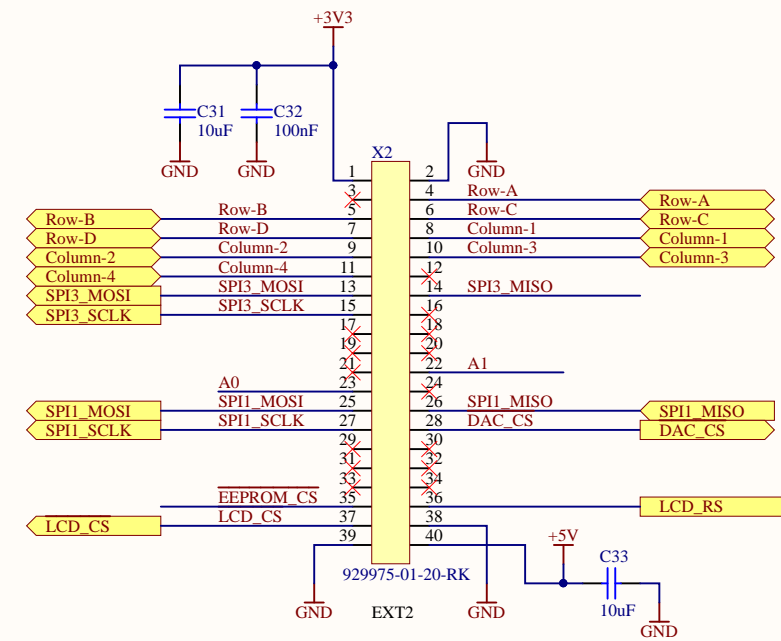
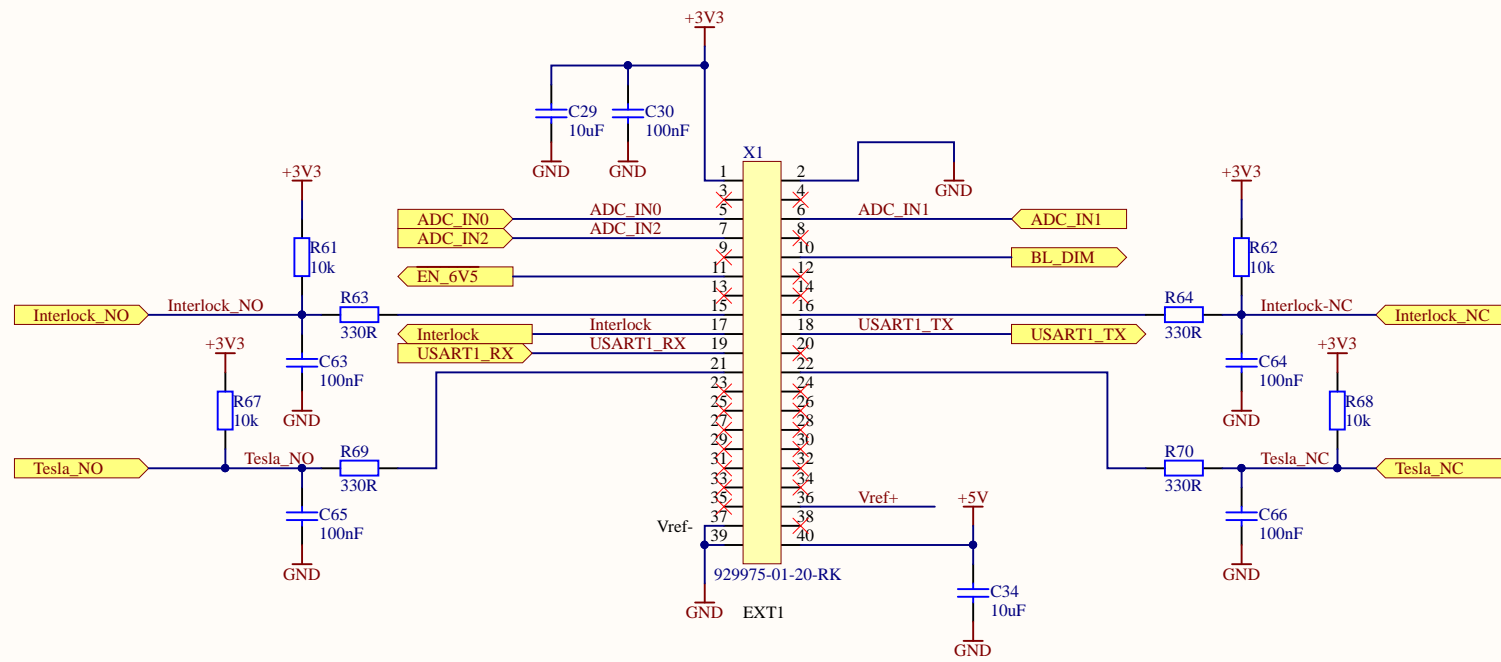
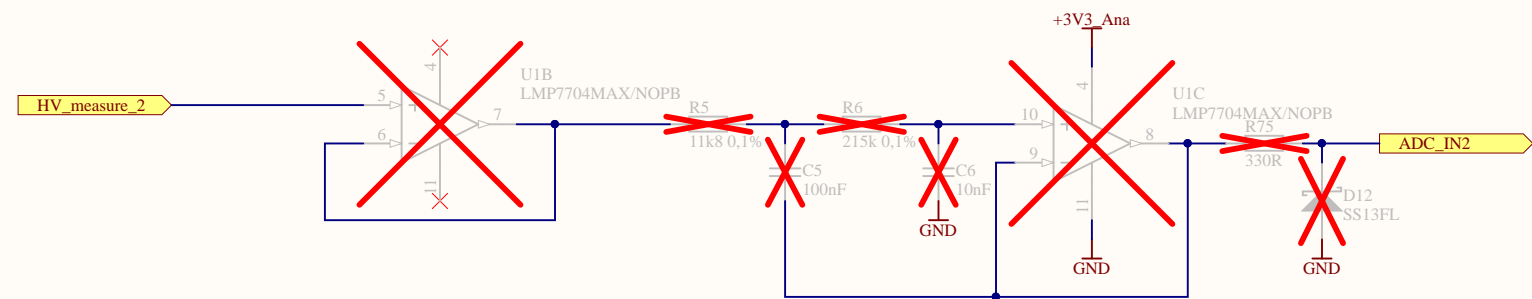
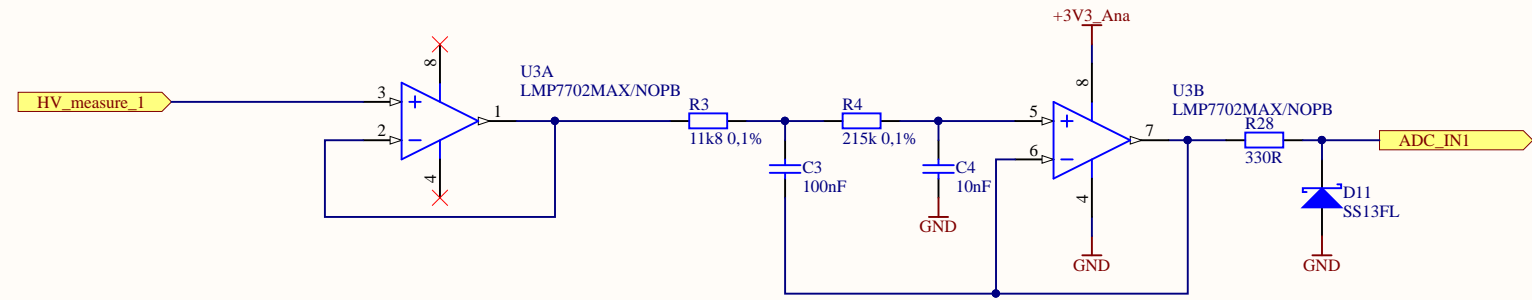
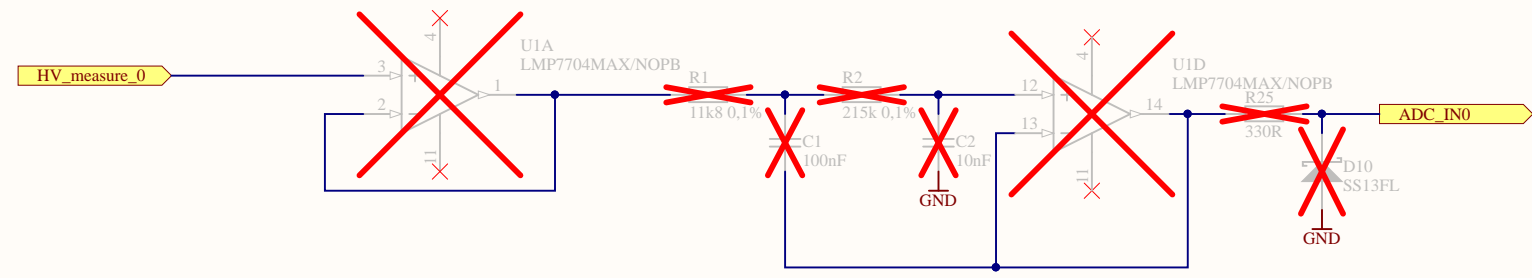


| | | |
|------------------|--|---------------|
| | Title: HSB MRTS Anode-Tesla Top | |
| | Drawn: TLa | Number: 1. |
| Checked: GSc | Date: 25-8-2017 | Sheet: 1 of 6 |
| File: Top.SchDoc | | |

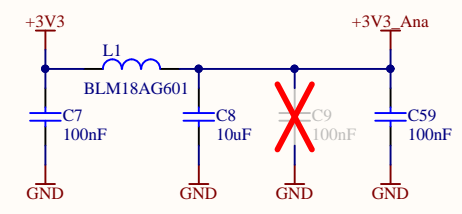


Remove jumper PWR_SEL
Remove resistor R2

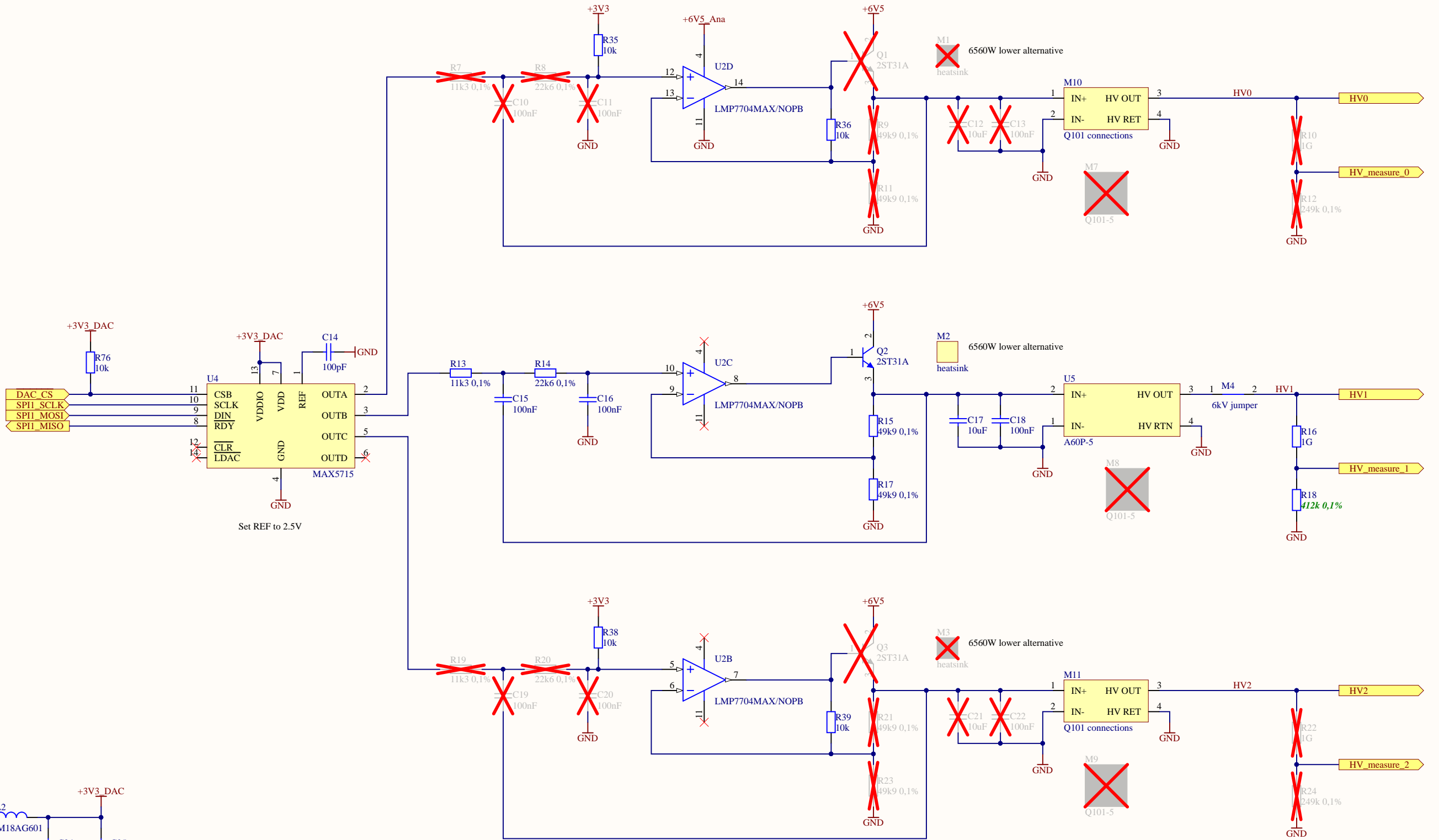
| | | | |
|-------------|----|---|--|
| A1 | A0 | | |
| MLA-0387-A0 | 0 | 0 | |
| MLA-0387-A1 | 0 | 1 | |
| MLA-0387-A2 | 1 | 0 | |



2nd order Butterworth filter
 -3dB @ 100Hz
 Gain= 1

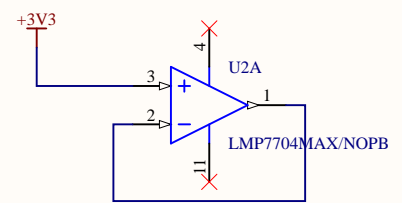
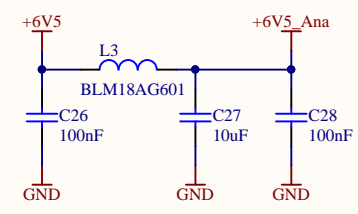
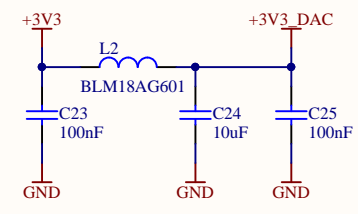


| | | |
|-------------------------------|-----------------------------------|-----------------------|
| | Title: Analog In | |
| | Drawn: TLa | Number: 3. |
| Checked: GSc | Date: 25-8-2017 | Sheet: 3 of: 6 |
| File: Analog in.SchDoc | | |

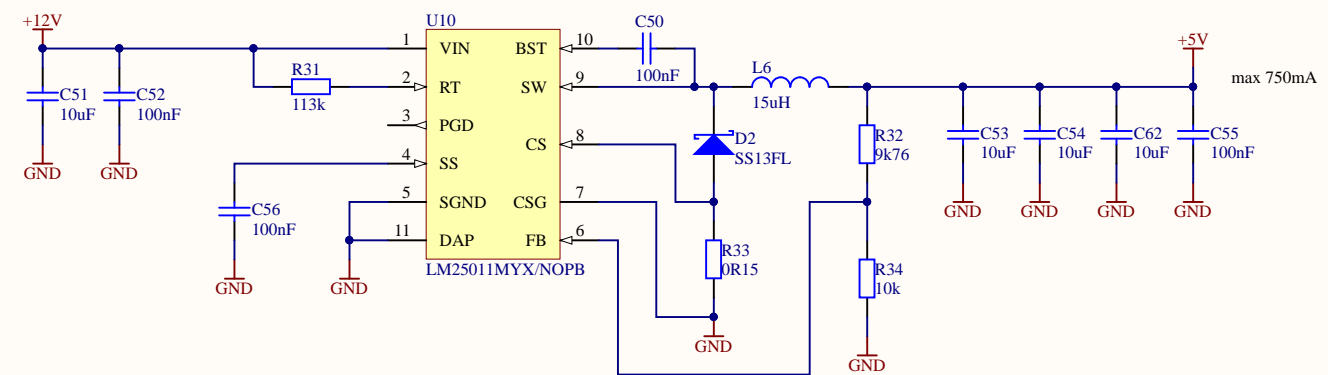
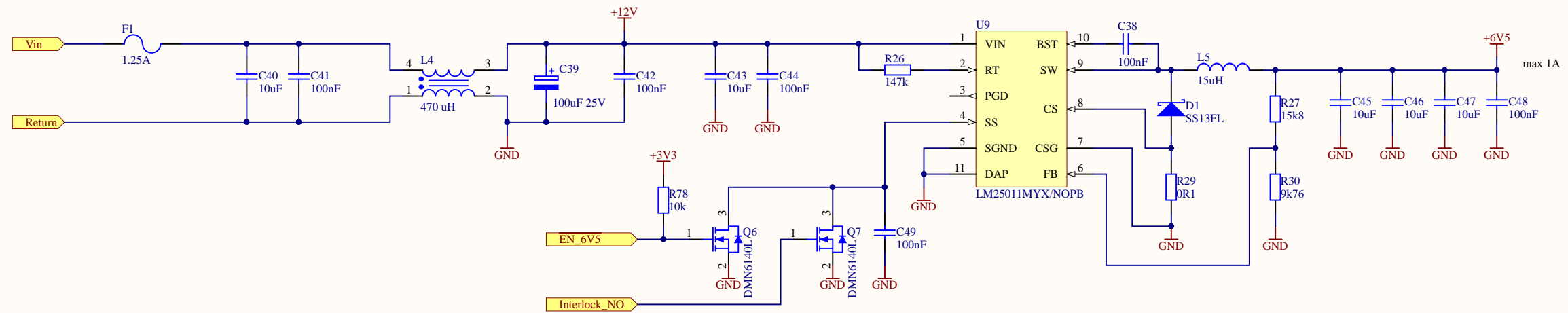


Set REF to 2.5V

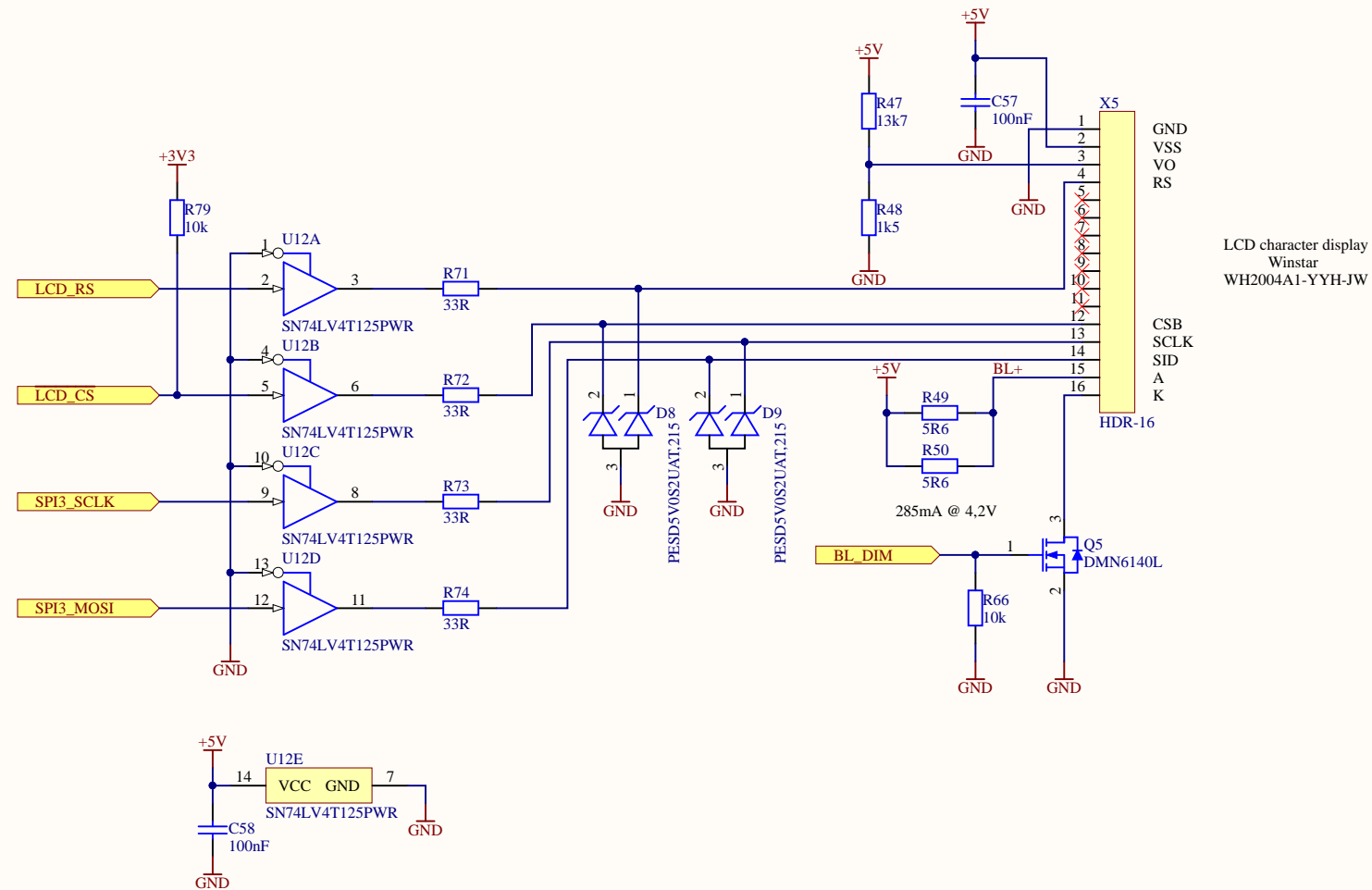
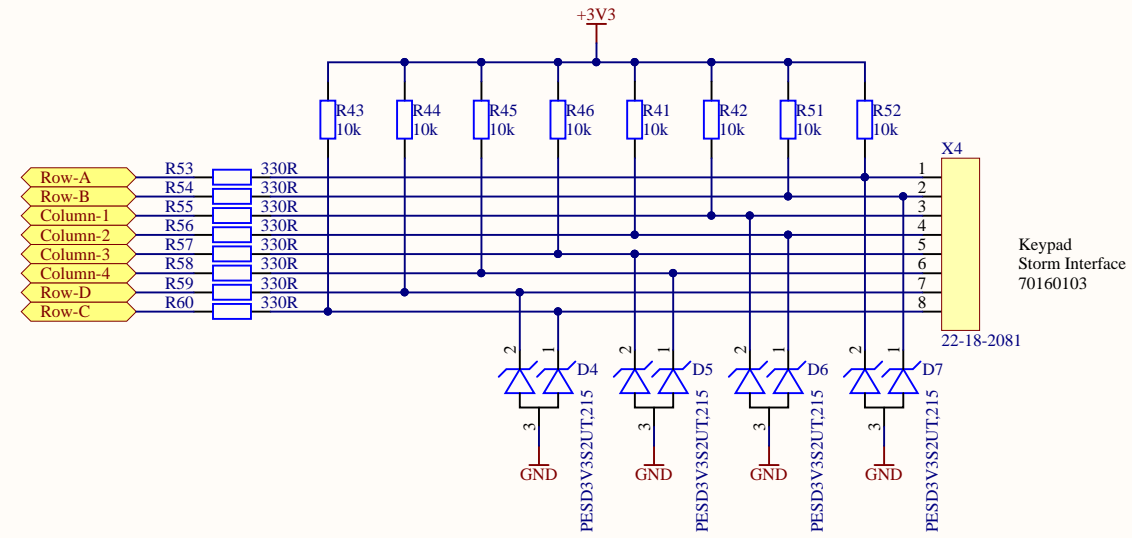
2nd order Butterworth filter
 -3dB @ 100Hz
 Gain= 2



| | | | |
|--------------------------------|-----------------|--|------------|
| | | Title: High Voltage Power Supplies | |
| | | Drawn: TLa | Number: 4. |
| Checked: GSc | Date: 25-8-2017 | Sheet: 4 of 6 | |
| File: HV Power supplies.SchDoc | | | |



| | | |
|------------------------------------|--|----------------------|
| | Title: Power Supplies | |
| | Drawn: TLa | Number: 5. |
| Checked: GSc | Date: 25-8-2017 | Sheet: 5 of 6 |
| File: Power supplies.SchDoc | | |



| | | | |
|-----------------------------|-----------------|--|--|
| | | Title: User Interface | |
| Drawn: TLa | Number: 6. | Rev: MLA-0387-A1 PA1 | |
| Checked: GSc | Date: 25-8-2017 | Sheet: 6 of: 6 | |
| File: User Interface.SchDoc | | | |